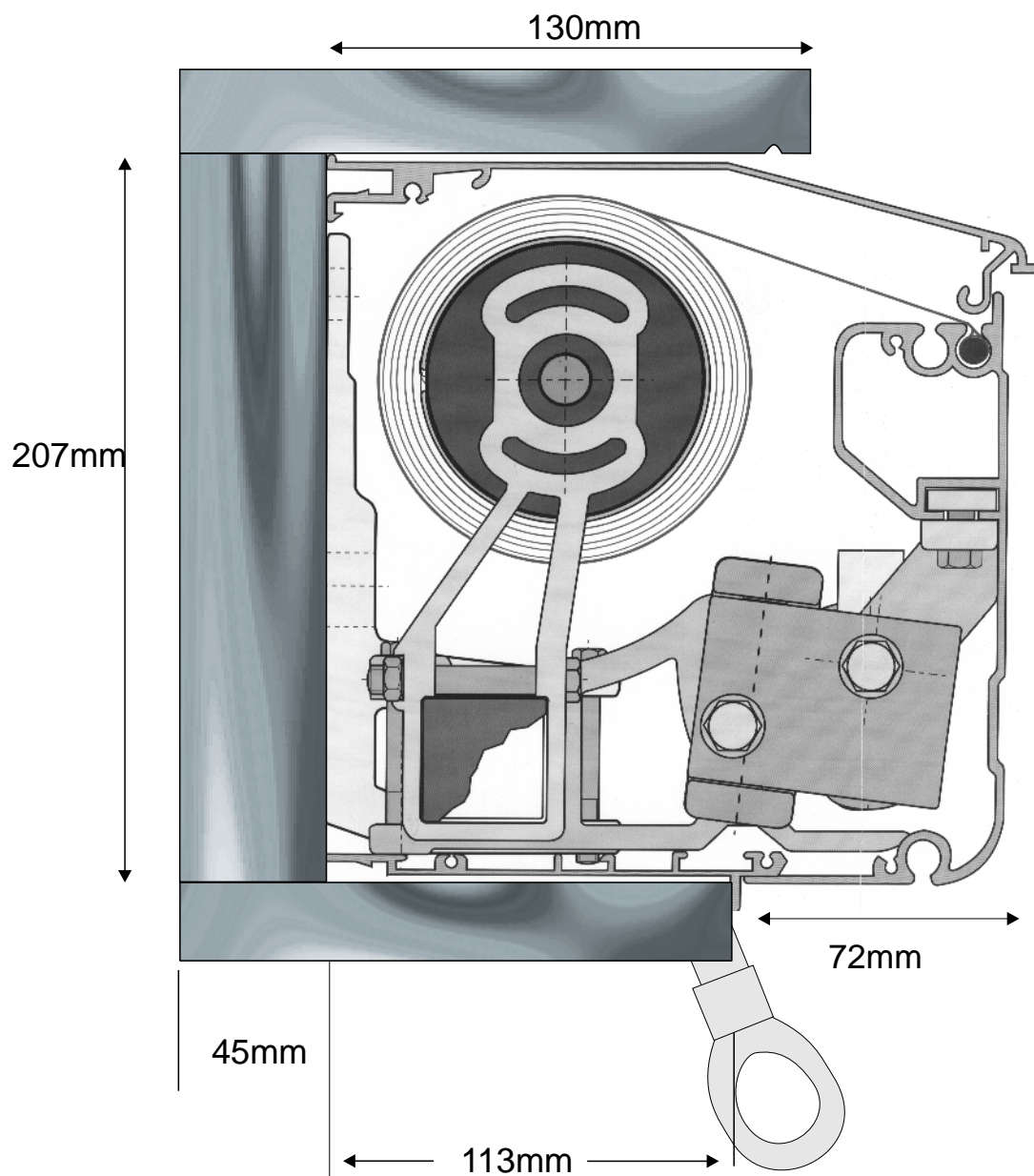


SHOPFITTERS BOX FOR TYPE 3 DEANS SHOPAWAY AWNING



WATERPROOF LINING RECOMMENDED

drawing not to scale
Timber box by others

shaft angle 25 deg either side
of the vertical - can come
through the front profile
There is no shaft on an electric
installation

DEANS BLINDS AND AWNINGS UK LTD
Unit 4 Haslemere Ind Estate
Ravensbury Terrace
Earlsfield SW18 4SE
Tel 020 89478931
Fax 020 8947 8336
e-mail info@deansblinds.co.uk

June 2001
specifications subject to change without notice